

Hair Clipper

User's Manual

EN



SENCOR®

SHP 211SL

Before first use, please read all instructions contained in this user's manual carefully, even if you are already familiar with using similar products. Only use this product in accordance with the instructions described in the user's manual. Keep the manual for future use.

Save the original packaging, including the internal packing material, warranty card and proof of purchase receipt at least for the duration of the warranty. If you need to ship this product, pack it in the original cardboard box to ensure maximum protection during shipping or transport (e.g. when moving or when you need to send this product for repair).

EN-1

CONTENTS

IMPORTANT SAFETY INSTRUCTIONS	3
INTRODUCTION	4
DESCRIPTION OF THE HAIR CLIPPER.....	4
DESCRIPTION OF THE ACCESSORIES.....	5
OPERATING THE HAIR CLIPPER.....	6
CLEANING AND MAINTENANCE	7
TECHNICAL SPECIFICATIONS	8
INSTRUCTIONS AND INFORMATION REGARDING THE DISPOSAL OF USED PACKAGING MATERIALS	8
DISPOSAL OF USED ELECTRICAL AND ELECTRONIC EQUIPMENT	8

IMPORTANT SAFETY INSTRUCTIONS

READ CAREFULLY AND STORE THESE INSTRUCTIONS FOR FUTURE USE.

- This product must not be used by persons (including children) with physical or mental impairments or by inexperienced persons, unless properly trained or schooled in the safe use of the product or unless they have been properly supervised by a qualified person who will be responsible for their safety.
- Children must be supervised to ensure that they do not play with the product.
- Never use accessories that have not been supplied with this product or are not intended for it.
- Under no circumstances should you try to repair or modify the product on your own – danger of electric shock! Entrust all repairs and adjustments to a specialised company/service. Tampering with the product during the warranty period may void the warranty.
- Never use the product if you have wet hands or feet.
- Only store and use the appliance away from flammable or volatile materials and solutions.
- Keep the product away from extreme temperatures, direct sunlight and excessive humidity. Do not use in an overly dusty environment.
- Do not place the product near heaters, open fires or other appliances or equipment that are sources of heat.
- This appliance is designed for household use. Do not use it in industrial surroundings or outdoors!
- Never use this product on animals.
- Do not use the product for purposes other than those intended.



Warning:

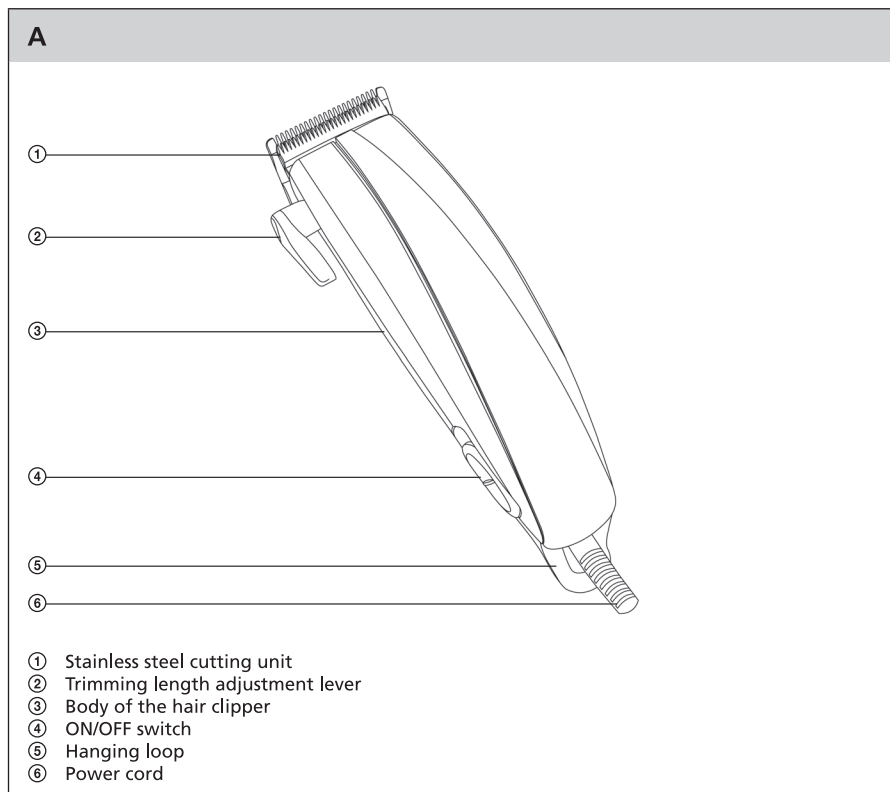
Keep the product dry. Do not spray it with water or any other liquid. Do not submerge it in water or in any other liquid.

- Never use the product near a bathtub, wash basin or any other container filled with water.
- Use extra care if the product is used near children. Always keep the appliance out of reach of children.
- Do not use this product on open wounds, cuts, sunburns or blisters.
- Keep this product at a safe distance from eyes.
- If the power cord is damaged, have it replaced at a professional service centre. It is forbidden to use a product with a damaged power cord or plug.
- The manufacturer takes no responsibility for damages caused by incorrect use of the product and its accessories.

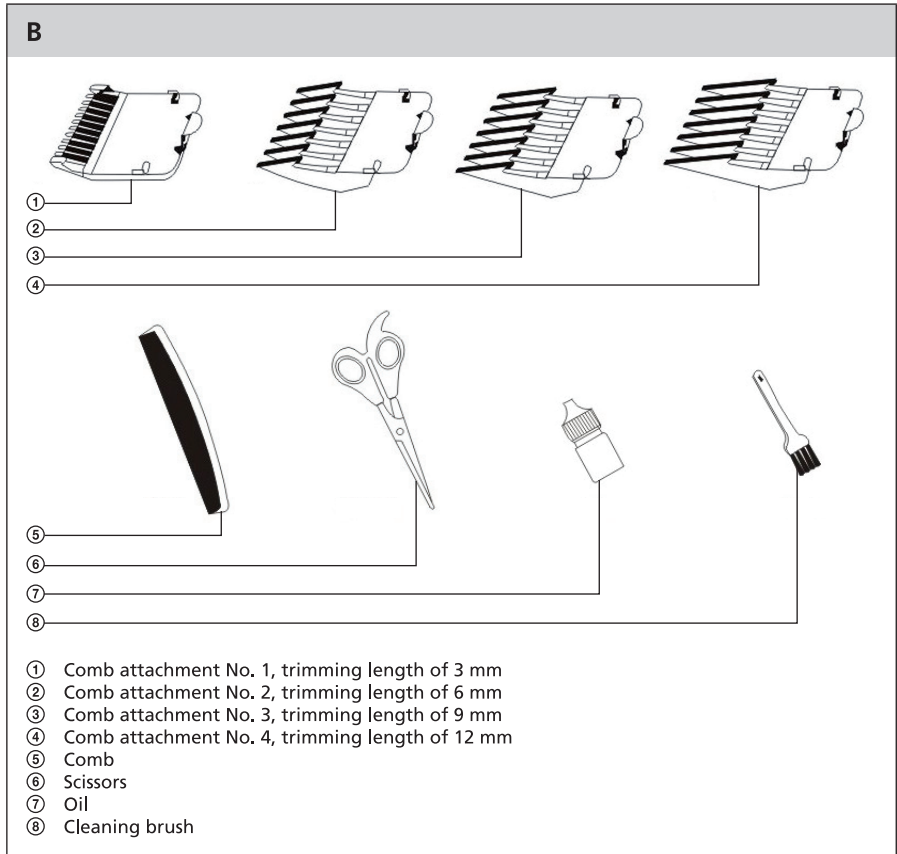
INTRODUCTION

- This hair clipper is suitable for cutting dry or dampened hair or beards. The hair clipper is supplied with 4 interchangeable comb attachments. Each attachment is intended for a different trimming length.

DESCRIPTION OF THE HAIR CLIPPER



DESCRIPTION OF THE ACCESSORIES



OPERATING THE HAIR CLIPPER

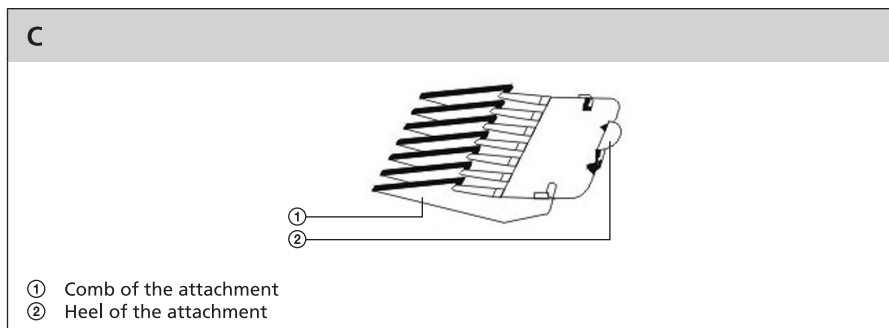
- Before first use take the hair clipper and its accessories out of the packaging material.

PREPARATION BEFORE THE HAIRCUT

- Seat the person whose hair you will be cutting in such a way that their head is at the height of your chest. This will provide for a comfortable cutting position.
- Cover the neck and shoulders of the person whose hair you will be cutting with a towel to limit cut hair from falling on their clothes.
- Only use the hair clipper on clean dry or dampened hair. Before the cutting hair, thoroughly comb out the hair in the growth direction.

USING THE HAIR CLIPPER WITH THE COMB ATTACHMENT

- The hair clipper is supplied with 4 comb attachments B①–④ for cutting lengths of 3, 6, 9 and 12 mm. Select one of the attachments B①–④ and attach it to the cutting unit A① according to the instructions below.
- Place the comb of the attachment C① on to the blade of the cutting unit A① and push the heel of the attachment C② against the cutting unit A①. When the heel of the attachment C② is pushed against the cutting unit A① an audible click will be heard. Check that the comb attachment is securely fitted to the cutting unit A①.



Note:

Information about the cutting height is shown on each of the attachments.

USING THE HAIR CLIPPER WITHOUT THE COMB ATTACHMENT

- Use the lever A② to regulate the cutting height without the use of the comb attachment B①–④.
- If you want the cutting height to be as short as possible, press lever A② with your thumb upwards as far as it will go. Hair will be cut directly above the scalp. This setting is suitable for trimming hair on the neck and around the ears.
- Push the lever downwards as far as it will go to set a cutting height of approximately 3 mm.
- Insert the power plug A⑥ into the an electrical power socket. To start the hair clipper, move switch A④ to the ON position.



Tip:

When cutting hair, move the hair clipper against the direction of hair growth and follow the contours of the head.

If you are using the hair clipper for the first time, we recommend that you first use attachment B③ or B④. If you feel that the haircut is too long, you can select a different attachment for a shorter haircut.

Before trimming the hairline on the neck and around the ears, remove the comb attachment B①, B②, B③ or B④ from the cutting unit A①. Turn the hair clipper so that the blade of the cutting unit points downwards and slowly trim the hair going from the top downwards.



Note:

When cutting, some hair may accumulate between the blade of the cutting unit and the comb attachment.

To remove the hair accumulated between the blade of the cutting unit A①, press lever A② up and down several times.

To remove hair accumulated in the comb attachment, first turn off the hair clipper by moving switch A④ to the OFF position. Then remove the attachment and clean it.

- After finishing the haircut, turn the hair clipper off by moving switch A④ to the OFF position and disconnect the power plug A⑥ from the electrical power socket.
- After each use, clean the hair clipper according to the instructions included in chapter Cleaning and maintenance.

CLEANING AND MAINTENANCE

- Before cleaning the hair clipper, turn it off and disconnect it from the el. power socket.
- Release the comb attachment from the cutting unit A① by pressing downwards on the heel of the attachment C② and remove it from the cutting unit A①.
- Clean the comb attachment B①, B②, B③ or B④ and the cutting unit A① using the cleaning brush B⑧.
- Wipe the body of the hair clipper A③ using a clean dry cloth.
- Do not use thinners, solvents, cleaning agents that cause abrasion, etc. to clean the product.



Attention:

Keep the hair clipper dry. Do not spray it with water or submerge it in water or another liquid.

LUBRICATING THE CUTTING UNIT

- We recommend that you regularly lubricate the cutting unit A① always after several uses.
- If the comb attachment B①, B②, B③ or B④ is attached to the cutting unit A①, remove it.
- Apply one to two drops of oil B⑦ to the blade of the cutting unit A① and evenly spread the oil using a cloth. Dry off excess oil. Check that the blade is clean before using again.



Note:

After using up the supplied oil B⑦ you can use an oil that does not contain acids, e.g. sewing machine oil.

REPLACING THE CUTTING UNIT

- If the cutting unit A① is worn out, please contact an authorised service centre.
- If you replace the cutting unit A① yourself, use only original spare parts and proceed according to the following instructions.
- Use a cross-head screwdriver to loosen the screws on the underside of the cutting unit A①. Take off the bottom and top part of the cutting unit A①. Attach a new top and bottom part of the cutting unit A① to the body of the hair clipper A③. Ensure that both parts are seated correctly. The blade must be parallel. If the lever A② is in the top position, the top edge of the upper blade should be level about 1,2 mm under the upper edge of the bottom blade. Use screws to attach the cutting unit A① to the body of the hair clipper A③. If you find that the top and bottom parts of the cutting unit A① are not properly level, slightly loosen the screws. Adjust the blade level and retighten the screws.

TECHNICAL SPECIFICATIONS

Nominal voltage.....	230 V
Nominal frequency.....	50 Hz
Rated power input.....	7 W
Safety class (for electric shock protection)	II
Noise level	63 dB(A)

The declared noise emission level of the appliance is 63 dB(A), which represents a level A of acoustic power with respect to a reference acoustic power of 1 pW.

Glossary of technical terms

Safety class for electric shock protection:

Class II – Electric shock protection is provided by double or heavy-duty insulation.

Changes to text and technical parameters are reserved.

INSTRUCTIONS AND INFORMATION REGARDING THE DISPOSAL OF USED PACKAGING MATERIALS

Dispose of packaging material at a public waste disposal site.

DISPOSAL OF USED ELECTRICAL AND ELECTRONIC EQUIPMENT



The meaning of the symbol on the product, its accessory or packaging indicates that this product shall not be treated as household waste. Please, dispose of this product at your applicable collection point for the recycling of electrical & electronic equipment waste. Alternatively in some states of the European Union or other European states you may return your products to your local retailer when buying an equivalent new product. The correct disposal of this product will help save valuable natural resources and help in preventing the potential negative impact on the environment and human health, which could be caused as a result of improper liquidation of waste. Please ask your local authorities or the nearest waste collection centre for further details. The improper disposal of this type of waste may fall subject to national regulations for fines.

For business entities in the European Union

If you wish to dispose of an electrical or electronic device, request the necessary information from your seller or supplier.

Disposal in other countries outside the European Union

If you wish to dispose of this product, request the necessary information about the correct disposal method from local government departments or from your seller.



This product meets all the basic EU regulation requirements that relate to it.