

# Hair dryer

User's manual

EN



**SENCOR®**

SHD 6600 / SHD 6600V /

SHD 6600W

Prior to using this device, please read the user's manual thoroughly, even in cases, when one has already familiarised themselves with previous use of similar types of devices. Only use the device in the manner as described in this user's manual. Keep the user's manual in a safe place where it can be easily retrieved for future use.

We recommend saving the original shipping cardboard box, packaging material, receipt and warranty for the period of the warranty at minimum. In case of transport, wrap the device in the original box from the manufacturer.

## CONTENTS

IMPORTANT SAFETY NOTICE .....	3
DESCRIPTION OF THE DEVICE .....	4
DESCRIPTION OF BUTTON FUNCTIONS .....	4
INSTRUCTIONS FOR USE.....	5
MAINTENANCE AND CLEANING.....	5
TECHNICAL SPECIFICATIONS .....	7
PACKAGE INCLUDES.....	7
INSTRUCTIONS AND INFORMATION REGARDING THE DISPOSAL OF USED PACKAGING MATERIALS .....	8
DISPOSAL OF USED ELECTRICAL AND ELECTRONIC APPLIANCES.....	8

## IMPORTANT SAFETY NOTICE

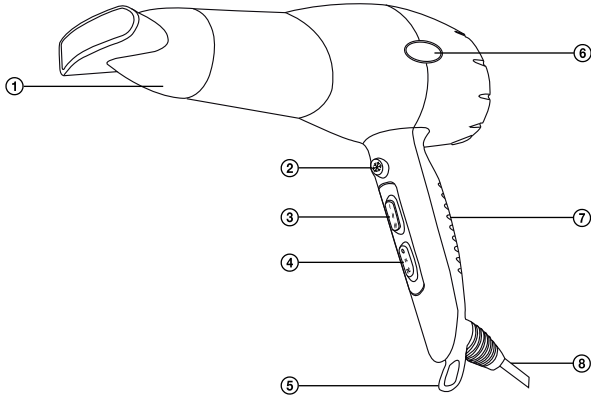
- Carefully unpack the product and take care not to throw away any part of the packaging before you find all the parts of the product.
- This product must not be used by persons (including children) with physical or mental impairments or by inexperienced persons, unless properly trained or schooled in the safe use of the product, or unless they have been properly supervised by a qualified person who will be responsible for their safety.
- Use extra care if the product is used near children. Always keep the product out of the reach of children. Children must be supervised to ensure that they do not play with the device.
- Before plugging this device in, make sure the voltage stated on the label of the device corresponds to the voltage of your wall socket.
- Never use the dryer in the near vicinity of a bath, shower or swimming pool.
- Never use accessories, which have not been supplied with this device or which are not designed for this device.
- Make sure that the electric cable and plug cannot get in contact with water or dampness.
- Do not spray the device with water, nor with any other liquid. Do not submerge this device and any of its components in water, or any liquids.
- The device is designed for household use. Do not use device in industrial environment, or outdoors.
- Do not use sprays in the vicinity of the device.
- If you will not be using the device, disconnect it from the electrical grid. Before cleaning or moving proceed in the same manner.
- Do not place the device on or near an electrical or gas stove. Do not place the device within near heat producing devices such as fireplaces etc.
- Do not use the device if it has a damaged electric cable/electric cable plug.
- In no case should you attempt to repair the device yourself, do not make any modifications to it - danger of electric shock! Entrust all repairs and adjustments to a specialised company/service. Tampering with the product during the guarantee period may invalidate the guarantee. In case the electric cable is damaged, have it replaced by an expert service. Do not use the device if it has a damaged power cable/plug.
- Do not place the electric cable of the device near hot surfaces, or over sharp objects.
- Do not place heavy objects on the cable, position the cable so that it is not stepped on, or tripped over. Make sure the power cable does not hang over the edge of a table, or that it does not touch a hot surface.
- Do not disconnect the device from the power point by pulling the electric cable - it may damage the electric cable/power point. Disconnect the cable from the power point by gently pulling the plug of the electric cable.
- Do not use the device for other purposes than it is intended for.
- Ensure that when turning on the device, that the grill air inflow or outflow grill is not covered.
- Ensure that no hair or threads remain in any of the openings of the dryer.
- In case you use the device in the bathroom, unplug it from the socket after use by removing the plug from the socket, as the presence of water poses danger, even when the hair dryer is turned off.
- To insure additional safety, it is recommended to install an Residual Current Device (RCD) into the electric circuit to the bathroom with a maximum current rating of 30 mA. Ask an electrician for advice.
- The manufacturer is not responsible for damages caused by incorrect use of this device or its accessories. Such damages include food spoilage, injuries, burns, scalding, fire, etc.

# Hair Dryer

SHD 6600 / SHD 6600V / SHD 6600W

## DESCRIPTION OF THE DEVICE

### A.



- ① Removable air concentrator
- ② Cold air button
- ③ Temperature switch
- ④ Speed switch

- ⑤ Hanging loop
- ⑥ Protective rubber side guard
- ⑦ Handle with rubber grip
- ⑧ Power cable

## DESCRIPTION OF BUTTON FUNCTIONS

### B



①



②



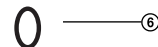
③



④



⑤



⑥

- ① Maximum temperature
- ② Middle temperature
- ③ Lowest temperature

- ④ 2nd speed level
- ⑤ 1st speed level
- ⑥ Turned off

# Hair Dryer

SHD 6600 / SHD 6600V / SHD 6600W

EN

## INSTRUCTIONS FOR USE

- 1) Insert the plug into the power socket.
- 2) On the handle of the dryer first select the temperature (low, medium, maximum).
- 3) Then while in the "off" state move to the first or second speed level.
- 4) To completely turn off the dryer move the temperature switch to the "off" position.



### Tip:

To achieve the best results wash your hair with shampoo before using the dryer, then dry your hair using a towel to reduce excessive moisture and then comb your hair. We recommend the use of a conditioner or hair lotion, which simplifies the combing and then drying your hair.

### Cold air button

The cold air button can be used in combination with any power level and is ideal for fixing a hairstyle after drying with hot air.



### Attention:

It is necessary to hold the cold air button for the whole time; after it is released, hot air will flow again.

### Air concentrator

If when drying your hair you need to style it (i.e. concentrate the air flow on a given area), attach the concentrator on to the out flow opening of the dryer.

### Hanging loop

If during drying you need to put the fan down, you can hang it by the hanging loop.

## MAINTENANCE AND CLEANING



### Attention:

Before cleaning disconnect this product from the power source.

To clean the outer parts of the product, use a soft cloth dipped in lukewarm water. Do not use aggressive cleaning products and solvents as this could damage the surface of the product.

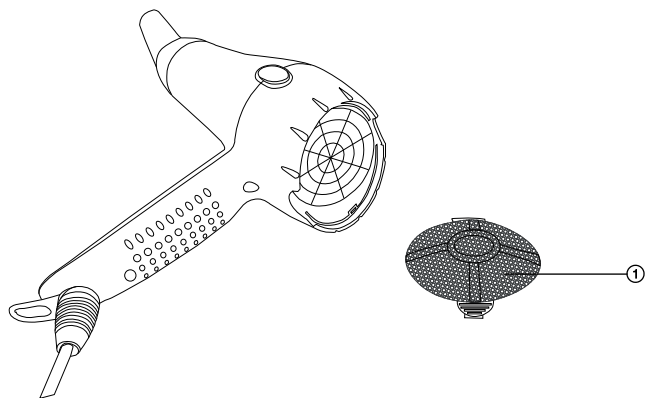
We recommend that you clean out the inflow parts of the dryer, where hair is often sucked in.

- 1) Turn the inflow grill to remove it (see pic. C).
- 2) Clean out the entire internal area.
- 3) Reattach the grill.

# Hair Dryer

SHD 6600 / SHD 6600V / SHD 6600W

C



① Inflow grill

# Hair Dryer

SHD 6600 / SHD 6600V / SHD 6600W

EN

## TECHNICAL SPECIFICATIONS

Voltage .....	230 V AC
Nominal frequency: .....	50 Hz
Power input.....	2000 W
Safety class (with regard to electric shock protection).....	II
Noise level.....	70 dB(A)

The declared noise emission level for this appliance is 70 dB(A), which represents level A of the acoustic power relative to the reference acoustic power of 1 pW.

## PACKAGE INCLUDES

- 1) Hair dryer
- 2) Air concentrator
- 3) User's manual
- 4) Warranty card

The manufacturer reserves the right to change the text and technical parameters.

## INSTRUCTIONS AND INFORMATION REGARDING THE DISPOSAL OF USED PACKAGING MATERIALS

Dispose of packaging material at a public waste disposal site.

## DISPOSAL OF USED ELECTRICAL AND ELECTRONIC APPLIANCES



The meaning of the symbol on the product, its accessory or packaging indicates that this product shall not be treated as household waste. Please, dispose of this product at your applicable collection point for the recycling of electrical & electronic equipment waste. Alternatively in some states of the European Union or other European states you may return your products to your local retailer when buying an equivalent new product. The correct disposal of this product will help save valuable natural resources and help in preventing the potential negative impact on the environment and human health, which could be caused as a result of improper liquidation of waste. Please ask your local authorities or the nearest waste collection centre for further details. The improper disposal of this type of waste may fall subject to national regulations for fines.

### For business entities in the European Union

If you wish to dispose of an electrical or electronic device, request the necessary information from your seller or supplier.

### Disposal in other countries outside the European Union

If you wish to dispose of this product, request the necessary information about the correct disposal method from local government departments or from your seller.



This product meets all the basic EU regulation requirements that relate to it.

Changes to the text, design and technical specifications may occur without prior notice and we reserve the right to make these changes.