

SENCOR®

SHD 6700 VT
SHD 6701 RD



EN ■ Hair Dryer

Hair Dryer

Important safety instructions

READ CAREFULLY AND STORE FOR FUTURE USE.

- This appliance may be used by children 8 years of age and older and by persons with physical or mental impairments or by inexperienced persons, if they are properly supervised or have been informed about how to use the product in a safe manner and understand the potential dangers. Cleaning and maintenance performed by the user must not be performed by children unless they are older than 8 years of age and under supervision. Children must not play with the appliance.
- Keep this appliance and the power cord out of reach of children that are younger than 8 years of age.
- This appliance is designed for household use only. Do not use it for commercial purposes.
- Do not use the appliance outdoors.
- Do not expose the appliance to direct sunlight, excessive humidity or an excessively dusty environment.
- Do not place the appliance in the vicinity of an open flame, heating elements or appliances that may be potential sources of heat.
- Do not use the appliance for any other purposes than those for which it is intended. Incorrect use may lead to injuries.
- Before connecting this appliance to a power socket, make sure the voltage stated on its rating label corresponds to the voltage in your power socket. Fully unwind the power cord before using it. Do not use an extension cord.
- Only use the appliance with the original accessories that came with it.
- Do not use the appliance on synthetic hair.
- Do not use the appliance in the vicinity of heat-sensitive surfaces or in rooms where aerosol sprays are used or where oxygen is administered.
- Do not splash the appliance with water, wash or submerge it and its power cord in water or any other liquids.



Warning:

Do not use this appliance in the vicinity of water.



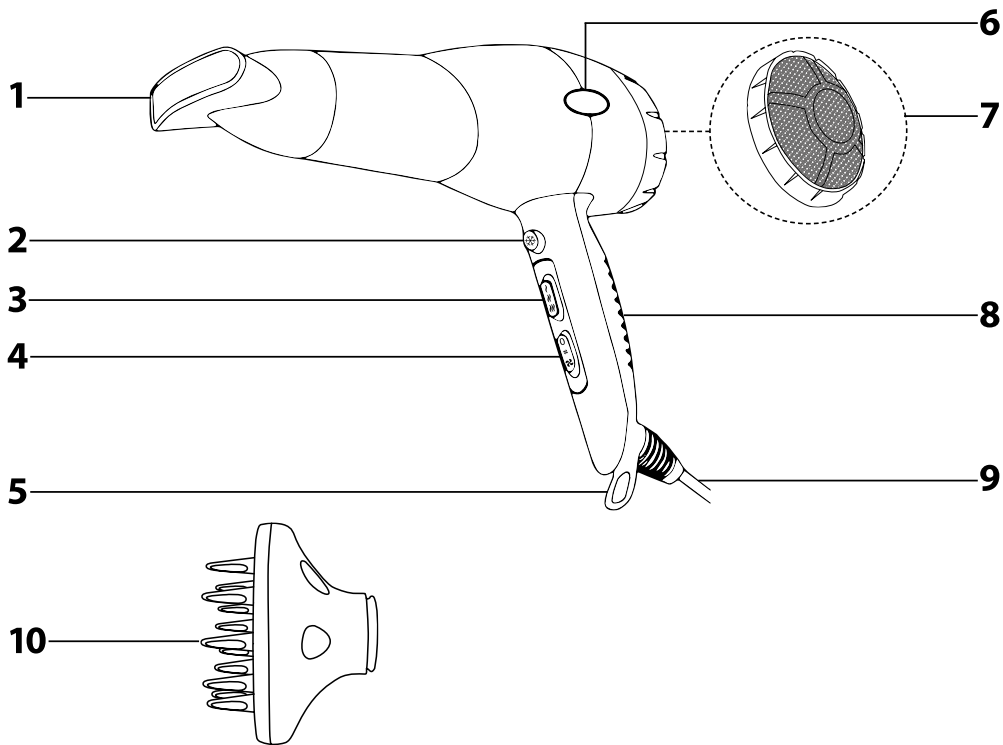
Warning:

Do not use this appliance near baths, showers, washbasins or other containers containing water.

- In the event that the appliance falls into water, under no condition reach for it, rather, immediately disconnect the power cord plug from the power socket. Never use an appliance that was submerged in water. Hand it over to an authorised service centre for inspection.
- During operation, do not block or cover the appliance's vents to prevent it from overheating.
- The appliance is equipped with a thermal fuse that automatically turns it off upon overheating. In the event that such a situation occurs, turn the appliance off by setting the airflow speed switch to position 0 (off) and disconnect it from the power socket. Allow the appliance to cool down and then you may use it again. Before starting the appliance, check that none of the appliance's vents are blocked.
- Do not use the appliance when standing on a wet or damp floor, when you have wet hands or when the surface of appliance is damp.

- Make sure that hot air is not directed into eyes or other parts of the body sensitive to heat.
- In the event that you use the appliance in the bathroom, unplug it from the socket after use by removing the plug from the socket, as the vicinity of water poses a danger, even when the appliance is turned off.
- To ensure additional safety, it is recommended to install an Residual Current Device (RCD) into the electric circuit to the bathroom with a maximum current rating of 30 mA. Ask an electrician for advice.
- Only place the appliance on a dry, horizontal and stable surface. Do not put it down on soft surfaces, where it could be covered, e.g. bed, couch, blanket, towel, etc.
- To avoid a hazardous situation arising, ensure that no foreign objects enter into any of the appliance's vents. Keep hair pins and other small items away from the appliance.
- Make sure that no hair, dust balls, etc. enter into the appliance's vents.
- Always turn off the appliance and disconnect it from the power socket when leaving it without supervision, after finishing using it and before moving, cleaning or storing it.
- Allow the appliance to cool down before cleaning and storing it.
- Keep the appliance clean. Clean it according to the instructions in chapter Cleaning and maintenance. Never insert any items into the appliance's vents in order to remove hair or dust balls.
- Make sure the power cord does not hang over the edge of a table or that it is not touching a hot surface or sharp objects.
- Disconnect the power cord from the power socket by pulling on the plug, never pulling on the cord. Otherwise, this could damage the power cord or the power socket.
- Do not wind the power cord around the appliance or twist it as this could damage its insulation.
- If the power cord is damaged, it must be replaced by the manufacturer, its authorised service centre or by a similarly qualified person, this will prevent the creation of a dangerous situation. It is forbidden to use the appliance if it has a damaged power cord.
- Do not use the appliance when it is not functioning correctly or when it is damaged in any way, or when it has fallen on the floor or been submerged in water. Hand it over to an authorised service centre for inspection or repair.
- To avoid a hazardous situation arising, do not repair the appliance yourself or modify it in any way. For all repairs, contact an authorised service centre. By tampering with the product you risk voiding your legal rights arising from unsatisfactory performance or quality warranty.

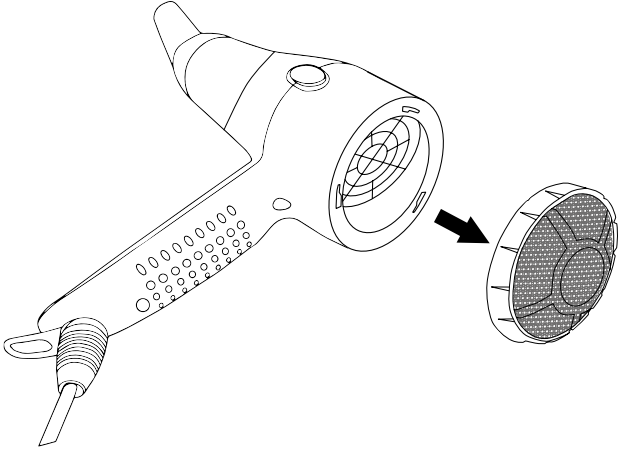
A



B



C



- Prior to using this appliance, please read the user's manual thoroughly, even in cases, when one has already familiarised themselves with previous use of similar types of appliances. Only use the appliance in the manner described in this user's manual. Keep this user's manual in a safe place where it can be easily retrieved for future use.
- We recommend saving the original cardboard box, packaging material, purchase receipt and responsibility statement of the vendor or warranty card for at least the duration of the legal liability for unsatisfactory performance or quality. In the event of transportation, we recommend that you pack the appliance in the original box from the manufacturer.

DESCRIPTION OF THE APPLIANCE AND ACCESSORIES

- | | |
|--------------------------------------------------------------------------|----------------------------------------|
| A1 Removable air nozzle | A6 Protective rubber side guard |
| A2 Cold air button | A7 Removable rear grille |
| A3 Temperature switch | A8 Rubber coated handle |
| A4 Switch for setting airflow speed and turning off the appliance | A9 Power cable |
| A5 Hanging loop | A10 Diffuser |

DESCRIPTION OF THE CONTROL ELEMENTS

- | | |
|---------------------------------------------------|------------------------------------------------------------------|
| B1 Low temperature for gradual hair drying | B4 Off |
| B2 Medium temperature for hairstyling | B5 Gentle airflow for gradual hair drying and hairstyling |
| B3 High temperature for rapid hair drying | B6 Strong airflow for rapid hair drying |

OPERATING THE APPLIANCE

- Before first use, take the hair dryer and its accessories out of the packaging material and remove all promotional labels and stickers from it.
- Attach air nozzle **A1** to the hair dryer. Fully unwind the power cord **A9** and connect it to a power socket.
- Use switch **A3** to select the drying temperature and set switch **A4** to gentle or strong airflow. The hair dryer is started by the airflow speed being set.



Attention:

Before the hair dryer is used, washed hair must first be dried using a towel.

- For rapid hair drying, select high temperature **B3** and strong airflow **B6**. For hairstyling, set medium temperature **B2** and gentle airflow **B5**. To finish drying your hair or for drying short hair, set low temperature **B1** and gentle airflow **B5**. When drying hair, keep the air nozzle **A1** at a distance of approximately 10 to 15 cm from the hair and scalp. In the event that airflow is too warm, use switch **A3** to select a lower temperature.
- When hairstyling, we recommend slowly combing hair from the bottom of root stems to the ends using a round hairbrush with air nozzle **A1** directed from a distance of approximately 10 cm at the hair stem that you are styling. Slowly move the hair dryer so that the complete hair stem is gradually dried. In the same way, proceed until the hairstyle is complete.
- You may use the cold air button **A2** at any time while the hair dryer is running for the final cold air hair fixation phase. Cold air will flow as long as you hold down button **A2**. To end the cold air function, release button **A2**.
- After you have finished using the hair dryer, turn it off by setting switch **A4** to position 0 (off) and disconnect the power cord from the power socket.

DIFFUSER

- Instead of air nozzle **A1**, attach the drying diffuser **A10**.
- Use the diffuser **A10** to give your hairstyle additional volume. When drying hair, it is necessary for the prongs of the diffuser **A10** to point perpendicular to the head and to be gently touching the scalp. Use slow circular motions to gradually dry the hair.

CLEANING AND MAINTENANCE

- Before cleaning, always turn off the hair dryer, disconnect it from the power socket and allow it to cool down.
- To clean the outer surface, use a clean, lightly dampened cloth. Then thoroughly wipe the cleaned surface until dry.
- For cleaning, never use steel wool, abrasive cleaning products, solvents, etc.

CLEANING THE REMOVABLE REAR GRILLE

- Regularly clean the removable rear grille **A7** to prevent hair, dust and other dirt from accumulating inside.
- Release the grille **A7** by turning it anticlockwise and remove it by pulling it away from the hair dryer, see fig. C.
- Remove all hair and dirt from the removed grille **A7**. You may use a soft brush for this purpose.
- Reattach the cleaned grille **A7** and turn it clockwise to attach it to the hair dryer. Never use the hair dryer without the rear grille **A7** attached.

STORAGE

- Store the hair dryer in a dry, clean location out of reach of children.

TECHNICAL SPECIFICATIONS

Rated voltage range	220–240 V
Rated frequency	50/60 Hz
Rated power input	2 000 W
Noise level	70 dB(A)

The declared noise emission level of the appliance is 70 dB(A), which represents a level A of sound power with respect to a reference sound power of 1 pW.

We reserve the right to change text and technical specifications.

INSTRUCTIONS AND INFORMATION REGARDING THE DISPOSAL OF USED PACKAGING MATERIALS

Dispose of used packaging material at a site designated for waste in your municipality.

DISPOSAL OF USED ELECTRICAL AND ELECTRONIC EQUIPMENT



This symbol on products or original documents means that used electric or electronic products must not be added to ordinary municipal waste. For proper disposal, renewal and recycling hand over these appliances to determined collection points. Alternatively, in some European Union states or other European countries you may return your appliances to the local retailer when buying an equivalent new appliance.

Correct disposal of this product helps save valuable natural resources and prevents potential negative effects on the environment and human health, which could result from improper waste disposal. Ask your local authorities or collection facility for more details.

In accordance with national regulations penalties may be imposed for the incorrect disposal of this type of waste.

For business entities in European Union states

If you want to dispose of electric or electronic appliances, ask your retailer or supplier for the necessary information.

Disposal in other countries outside the European Union

This symbol is valid in the European Union. If you wish to dispose of this product, request the necessary information about the correct disposal method from the local council or from your retailer.



This product meets all the basic requirements of EU directives related to it.